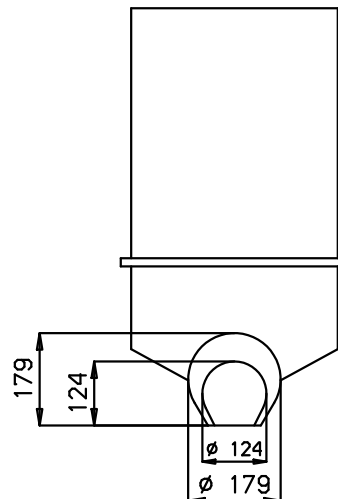
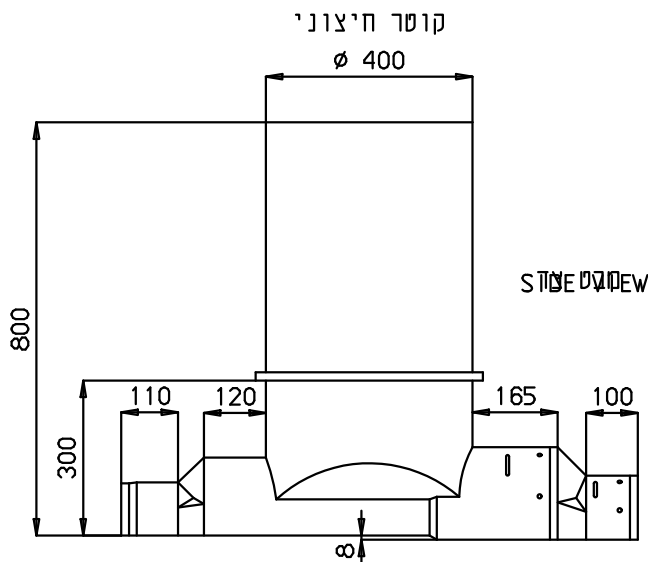


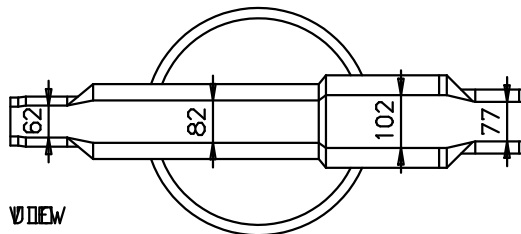
FRONT VIEW
(MADE)



BACK VIEW
(REMOVE)



SIDE VIEW



BOTTOM VIEW

DRAWN BY: ILAN GIDONI		'HOFIT' K. KINNERET D.N. EMEK HAYARDEN 15118	
GENERAL TOLERANCE: $\pm 2\%$		TEL: 972-4-6759530/1/2 FAX: 972-4-6759518	
400 OUTSIDE DIA. INSPECTION CHAMBER, 1 INLET, 1 OUTLET, 160/110 HEIGHT 800, FLAT DUCT (UNITS IN MM)			
VERSION:	CAT. NO.	DRAWING NO.	DATE:
A	203-2B4086	006-04	19.1.03