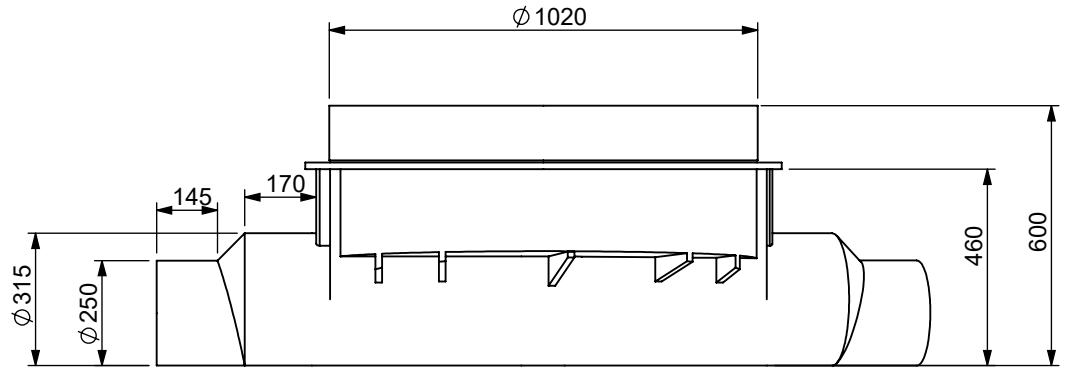
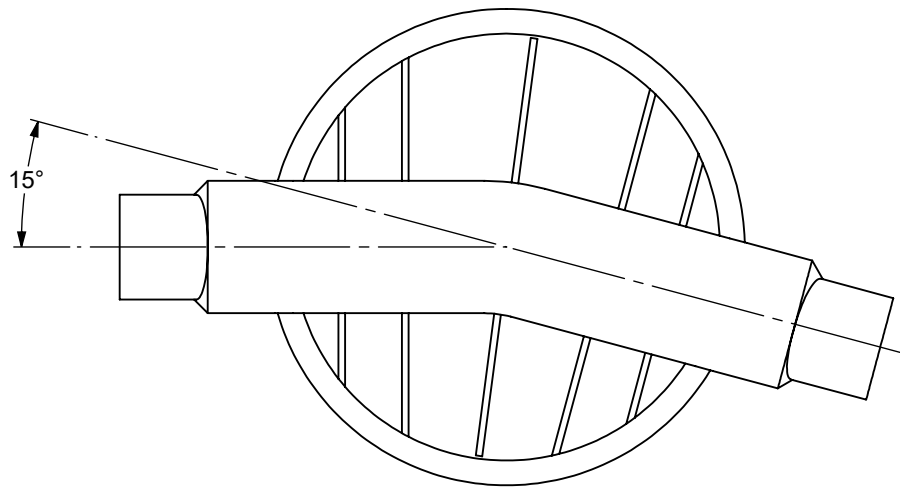


A



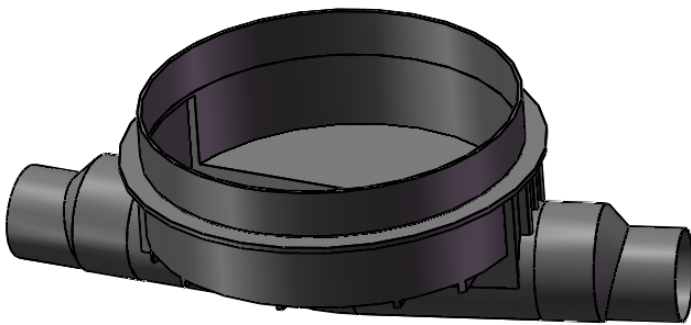
B

C



D

E



UNLESS OTHERWISE SPECIFIED:
 DIMENSIONS ARE IN MILLIMETERS
 SURFACE FINISH: N8
 TOLERANCES: +/-2%



HOFIT KIBBUTZ KINNERET Ltd.
 D.N. EMEK HAYARDEN 15118, ISRAEL
 tel.+972-4-6759530/1/2 F.+972-4-6759518

	NAME	SIGN.	DATE	REV.
DRAWN	ILAN GIDONI		12/02/2017	A
CHK'D				
APPV'D				
Q.A				

**1000 DIA. BASE UNIT HEIGHT 600,
 1 CANAL 315 DIA.
 CURVE 15°**

FILE NAME:

MATERIAL:	FINISH:	Remark:
PE		

DWG. NO.
 CAT. NO. **0207-1B1061215**