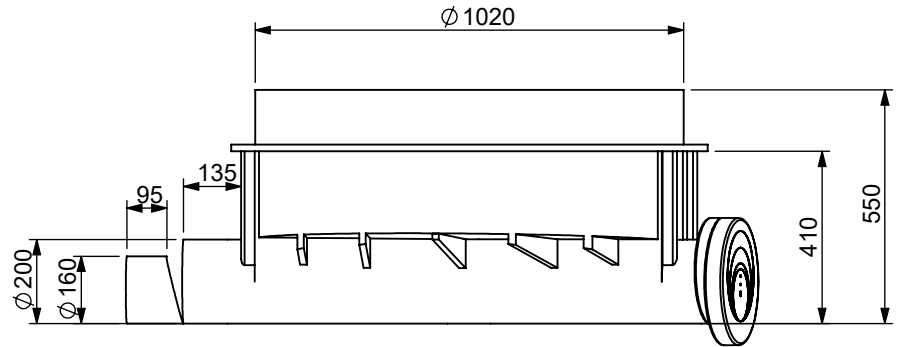
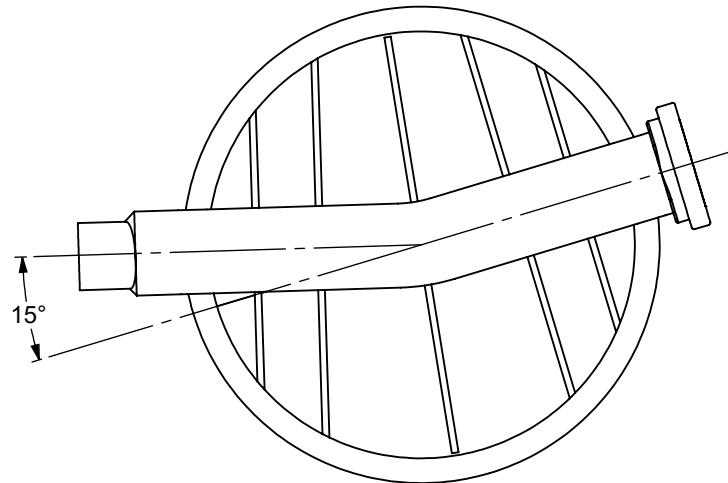


A



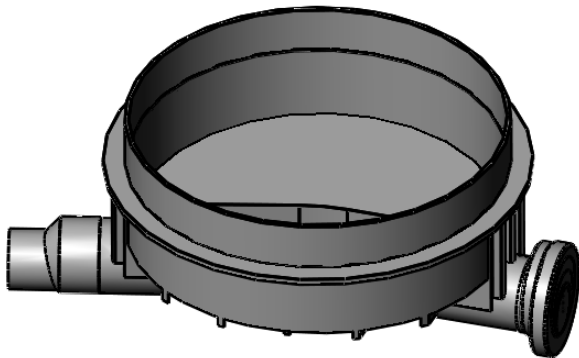
B

C



BOTTOM VIEW

D



E

UNLESS OTHERWISE SPECIFIED:  
DIMENSIONS ARE IN MILLIMETERS  
SURFACE FINISH: N8  
TOLERANCES: +/-2%



**HOFIT KIBBUTZ KINNERET Ltd.**  
D.N. EMEK HAYARDEN 15118, ISRAEL  
tel.+972-4-6759530/1/2 F.+972-4-6759518

	NAME	SIGN.	DATE	REV.
DRAWN	ILAN GIDONI		13/02/2017	A
CHK'D				
APPV'D				
Q.A				

FILE NAME:

1000 DIA. BASE UNIT HEIGHT 550  
1 CANAL 200 DIA. ANGLE 15° LEFT  
SPECIAL THICKNESS

MATERIAL:	FINISH:	Remark:
PE		

DWG. NO.

CAT. NO. 0207-1LB1050815H

WEIGHT:

S:\MyWorks\0207-1\0207-1 להכנה\שרטוטים למוצרים\LB1050815H\

SCALE: 1 : 1

SHEET 2 OF 3

F