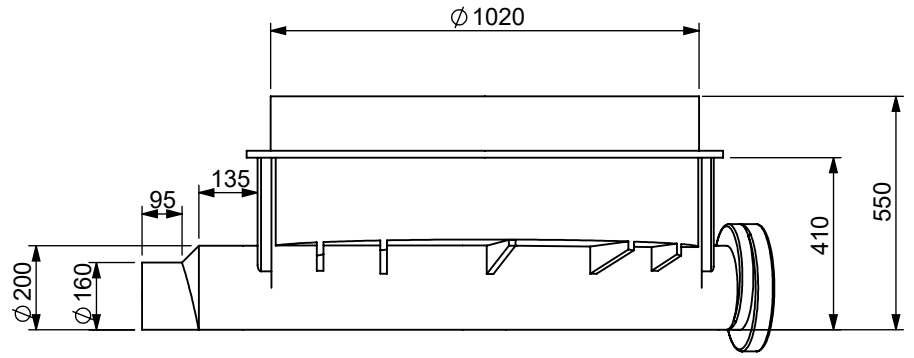
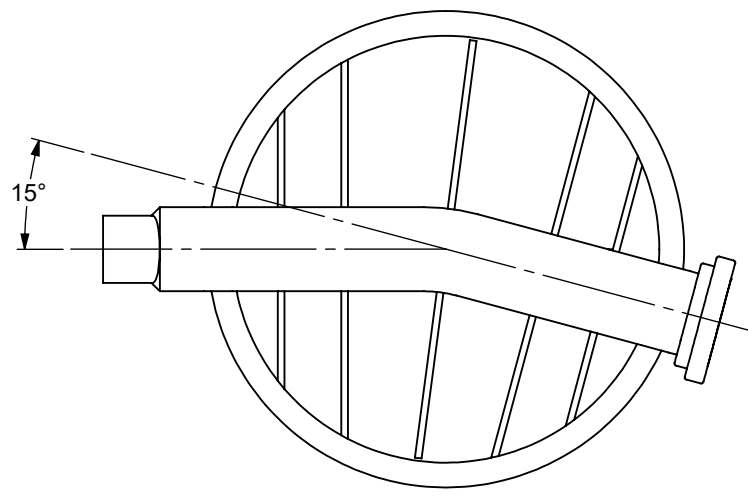


A



B

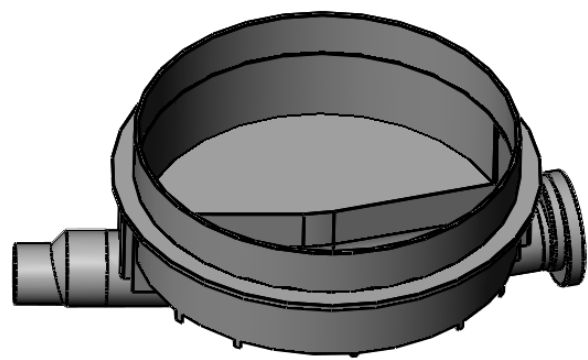
C



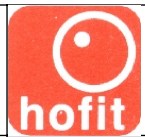
BOTTOM VIEW

D

E



UNLESS OTHERWISE SPECIFIED:
 DIMENSIONS ARE IN MILLIMETERS
 SURFACE FINISH: N8
 TOLERANCES: +/-2%



HOFIT KIBBUTZ KINNERET Ltd.
 D.N. EMEK HAYARDEN 15118, ISRAEL
 tel.+972-4-6759530/1/2 F.+972-4-6759518

	NAME	SIGN.	DATE	REV.
DRAWN	ILAN GIDONI		13/02/2017	A
CHK'D				
APPV'D				
Q.A				

1000 DIA. BASE UNIT HEIGHT 550
 1 CANAL 200 DIA. ANGLE 15° RIGHT
 SPECIAL THICKNESS

MATERIAL:	FINISH:	Remark:
PE		

FILE NAME:	DWG. NO.
	CAT. NO. 0207-1RB1050815H