

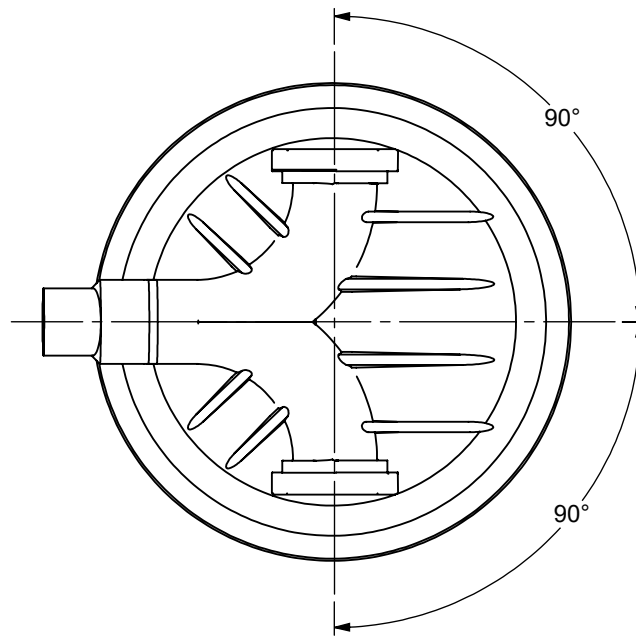
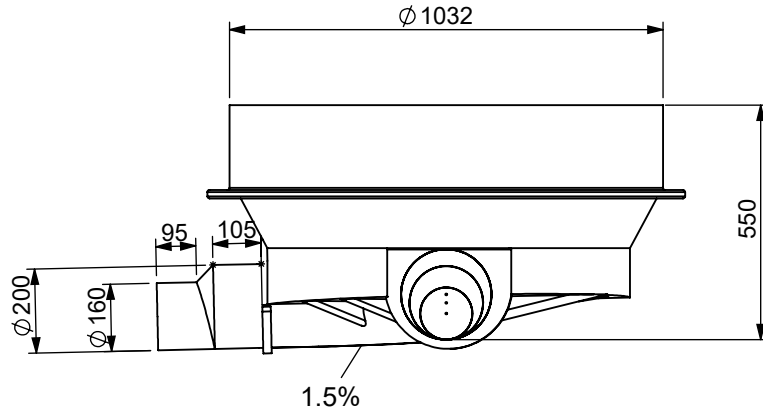
A

B

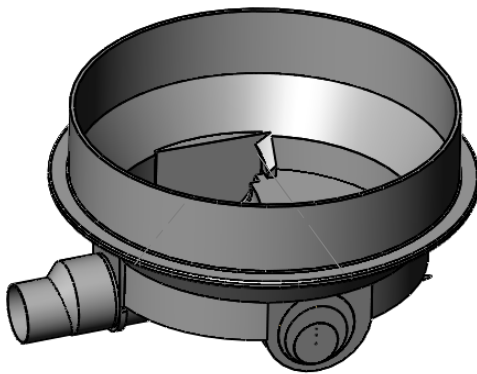
C

D

E



BOTTOM VIEW



UNLESS OTHERWISE SPECIFIED:  
 DIMENSIONS ARE IN MILLIMETERS  
 SURFACE FINISH: N8  
 TOLERANCES: +/-2%



**HOFIT KIBBUTZ KINNERET Ltd.**  
 D.N. EMEK HAYARDEN 15118, ISRAEL  
 tel.+972-4-6759530/1/2 F.+972-4-6759518

	NAME	SIGN.	DATE	REV.
DRAWN	ILAN GIDONI		14/02/2017	A
CHK'D				
APPV'D				
Q.A				

1000 DIA. BASE UNIT HEIGHT 550  
 2 INLETS 200 DIA. 90° (T)  
 SPECIAL THICKNESS

FILE NAME:

MATERIAL:	FINISH:	Remark:
<b>PE</b>		

DWG. NO.  
 CAT. NO. **0207-2BT10508H**