

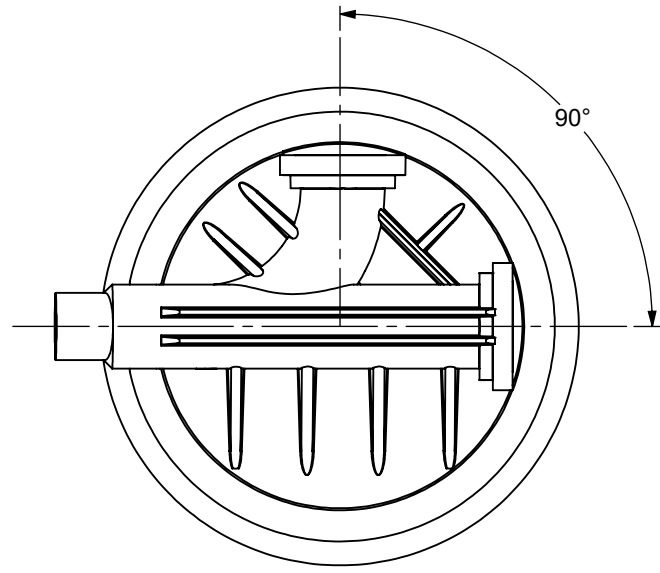
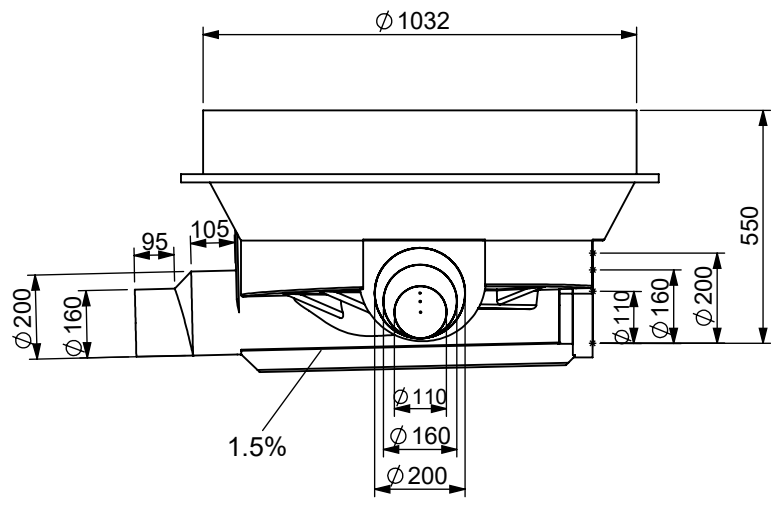
A

B

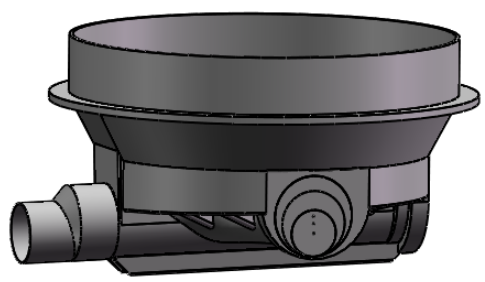
C

D

E



BOTTOM VIEW



UNLESS OTHERWISE SPECIFIED:
 DIMENSIONS ARE IN MILLIMETERS
 SURFACE FINISH: N8
 TOLERANCES: +/-2%

חופית קיבוץ כנרת
 ד.ב. עמק הירדן 15118
 tel.+972-4-6759530/1/2 F.+972-4-6759518



	NAME	SIGN.	DATE	REV.
DRAWN	אילן גדעוני		14/02/2017	A
CHK'D				
APPV'D				
Q.A				

1000 DIA. BASE UNIT HEIGHT 550
 STRAIGHT CANAL+ 90° LEFT CANAL
 SPECIAL THICKNESS

FILE NAME:

MATERIAL: PE
 FINISH:
 Remark:

DWG. NO.
 CAT. NO. 0207-2LB10508H