

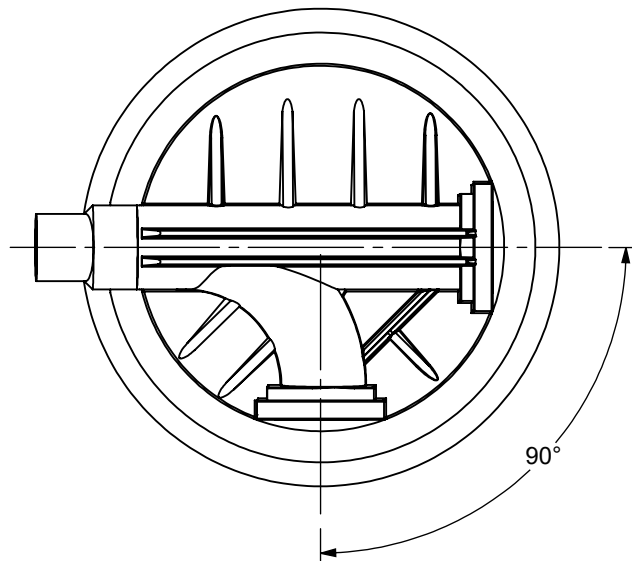
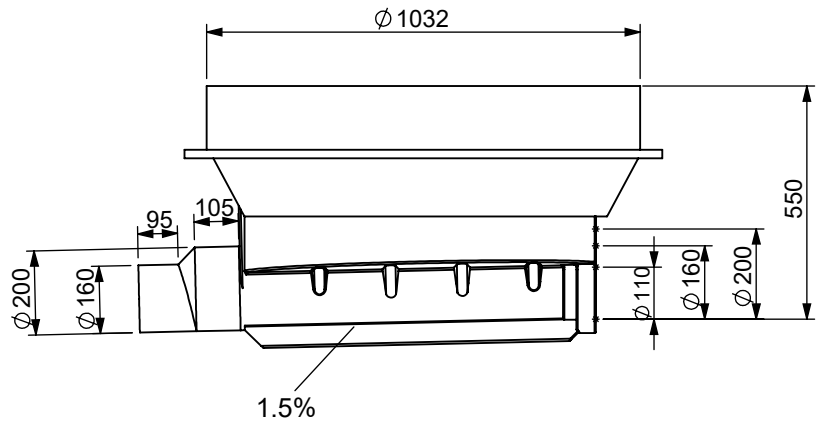
A

B

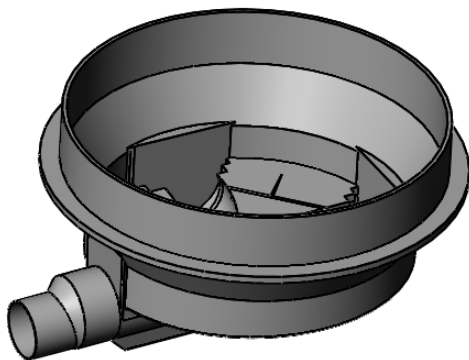
C

D

E



BOTTOM VIEW



UNLESS OTHERWISE SPECIFIED:
 DIMENSIONS ARE IN MILLIMETERS
 SURFACE FINISH: N8
 TOLERANCES: +/-2%



HOFIT KIBBUTZ KINNERET Ltd.
 D.N. EMEK HAYARDEN 15118, ISRAEL
 tel.+972-4-6759530/1/2 F.+972-4-6759518

	NAME	SIGN.	DATE	REV.
DRAWN	ILAN GIDONI		14/02/2017	A
CHK'D				
APPV'D				
F Q.A				

**1000 DIA. BASE UNIT HEIGHT 550
 STRAIGHT CANAL+ 90° RIGHT CANAL
 SPECIAL THICKNESS**

FILE NAME:

MATERIAL:	FINISH:	Remark:
PE		

DWG. NO.
 CAT. NO. **0207-2RB10508H**