

1

2

3

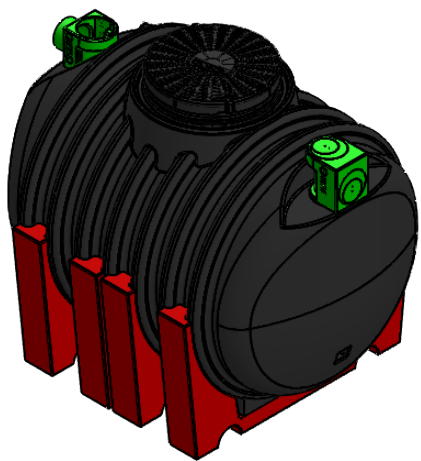
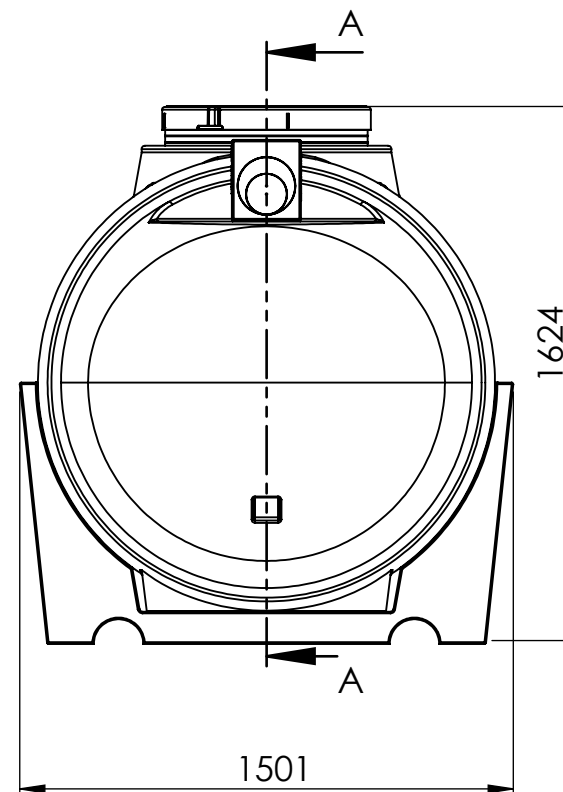
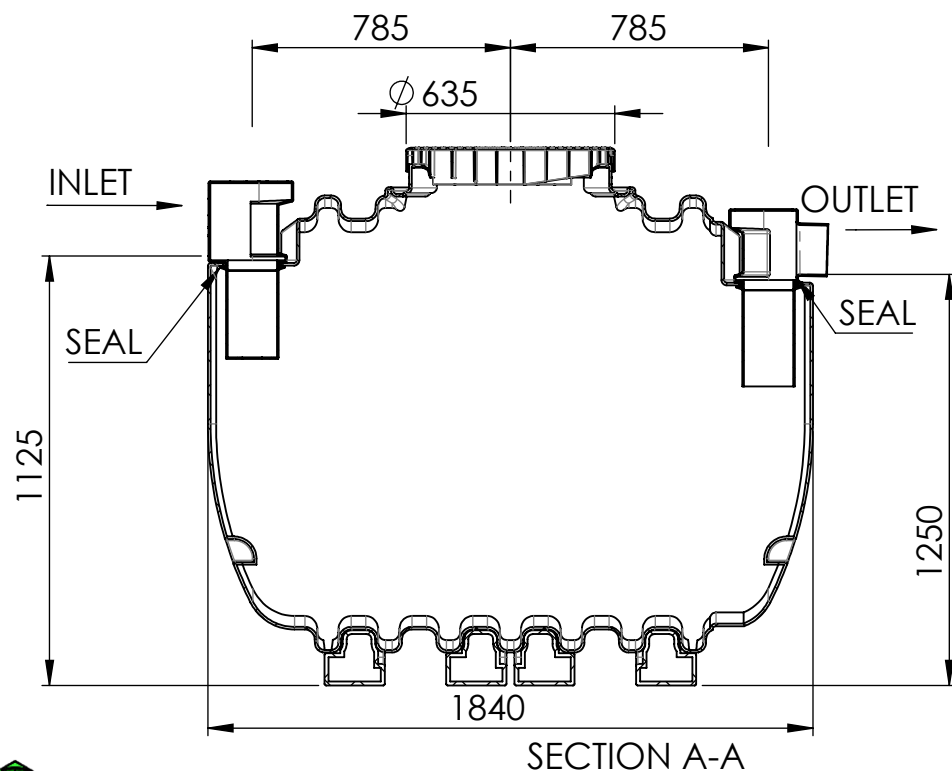
4

5

6

Rev.	Name	Description	Date	ECO No.
B	GIL HASSON	INLET/OUTLET CHANGE	04.10.21	ECO021
C	GIL HASSON	ADD STRENGTHEN LEGS	28.11.23	EC23000057

OUTLET	INLET	CAT. NO.
110 (4")	110 (4")	0208-STC214H
160 (6")	160 (6")	0208-STC216H
200 (8")	200 (8")	0208-STC218H



UNLESS OTHERWISE SPECIFIED:  
DIMENSIONS ARE IN MILLIMETERS  
SURFACE FINISH: N8  
TOLERANCES: +/-2%



**Hofit By Huliot Group Ltd.**

Kibbutz Kinneret, Jordan Valley, 1511800 ISRAEL  
tel.+972-4-6759530 | info@hofit.com | www.hofit.com

	NAME	SIGN.	DATE	REV.
DRAWN	Gil Hasson		28/11/2023	C
CHK'D				
APPV'D				

## SEPTIC TANK 2100L OVERGROUND INSTALLATION

FILE NAME: 0208-STC21.H

MATERIAL: PE  
FINISH: Weight [kg]:

**CAT. NO.: SEE TAB**

DWG. NO.: 0208-STC21.H-E

\\fs2019\ENG\Dev\By name\Gil\28-11-23 בורות הקמה לבורות פרויקט הוליוט\PRODUCT\0208-STC21.H- SEPTIC TANK 2100L OVER ASSY\3D\

SCALE: 1:25

SHEET 1 OF 1