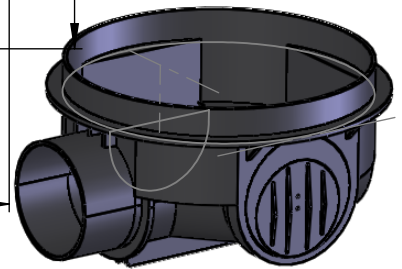
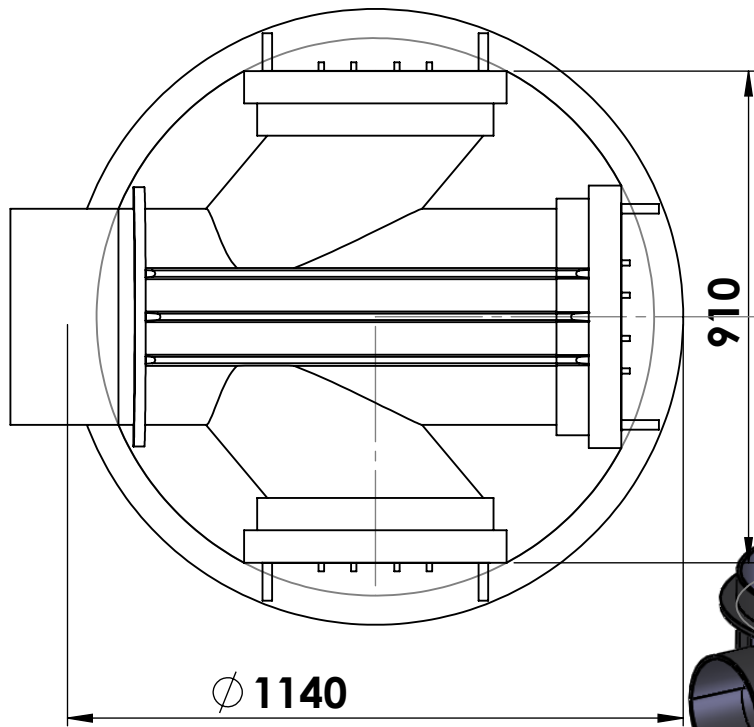
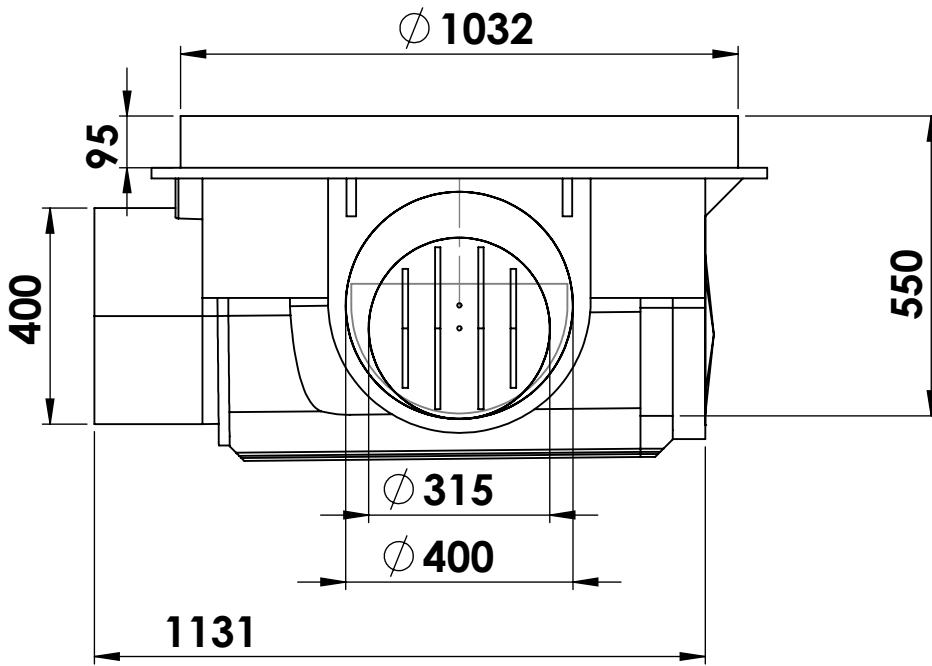


0895-01



UNLESS OTHERWISE SPECIFIED:  
 DIMENSIONS ARE IN MILLIMETERS  
 SURFACE FINISH: N8  
 TOLERANCES: +/-2%

**חופית קיבוץ כנרת**

ד.ב. עמק הירדן 15118

tel.+972-4-6759530/1/2 F.+972-4-6759518



**בסיס ק.100 ג.55, 3 כניסות 400**

|        | NAME | SIGN. | DATE       | REV. |
|--------|------|-------|------------|------|
| DRAWN  | דרור |       | 27/01/2015 | A    |
| CHK'D  |      |       |            |      |
| APPV'D |      |       |            |      |
| Q.A    |      |       |            |      |

FILE NAME: 0207-3B10540

|           |         |         |
|-----------|---------|---------|
| MATERIAL: | FINISH: | Remark: |
|-----------|---------|---------|

DWG. NO. 00-0000-00-00

CAT. NO. **0207-3B10540**